



6390 Philips Highway
Jacksonville, FL 32216
Phone (904) 737-7144

SPECIFICATION DATA SHEET

Date: 06/27/03 rev. Drawn by: M.D.C.

MODEL No. 231

STRAIGHT STACK BOOT

DIMENSIONAL DATA

3-1/4" x 10" - 4", 5", 6" & 7" DIAMETER
3-1/4" x 12" - 6" & 7" DIAMETER
3-1/4" x 14" - 7" & 8" DIAMETER

FABRICATION DATA

FABRICATED FROM 30 GAUGE GALVANIZED
STEEL OF LOCK FORMING QUALITY PER
ASTM-A653 CS TYPE B.

FEATURES

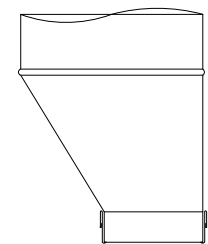
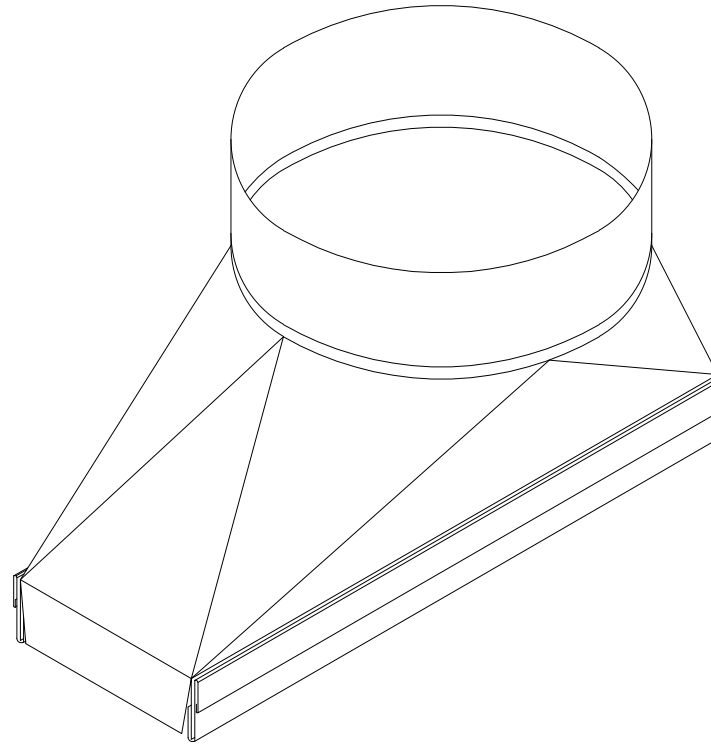
FLAT ON ONE 10", 12" OR 14" SIDE.

STACKING CLIPS ON RECTANGULAR END FOR
EASY CONNECTION TO CROWN No. 201
WALLSTACK DUCT.

OPTIONS

OTHER SIZES AND GAUGES AVAILABLE UPON
REQUEST.

SPECIAL NOTES



SIDE VIEW