



6390 Philips Highway
Jacksonville, FL 32216
Phone (904) 737-7144

SPECIFICATION DATA SHEET

Date: 01/15/03

Drawn by: M.D.C.

MODEL No. 201

WALLSTACK DUCT

DIMENSIONAL DATA

SIZES AVAILABLE:

3-1/4" X 10"

3-1/4" X 12"

3-1/4" X 14"

AVAILABLE IN 2 FT., 3FT., 4FT., & 5FT. LENGTHS.

FABRICATION DATA

MATERIAL:

FABRICATED FROM HOT-DIPPED GALVANIZED
STEEL SHEET OF LOCK FORMING QUALITY
PER ASTM A653 CS TYPE B.

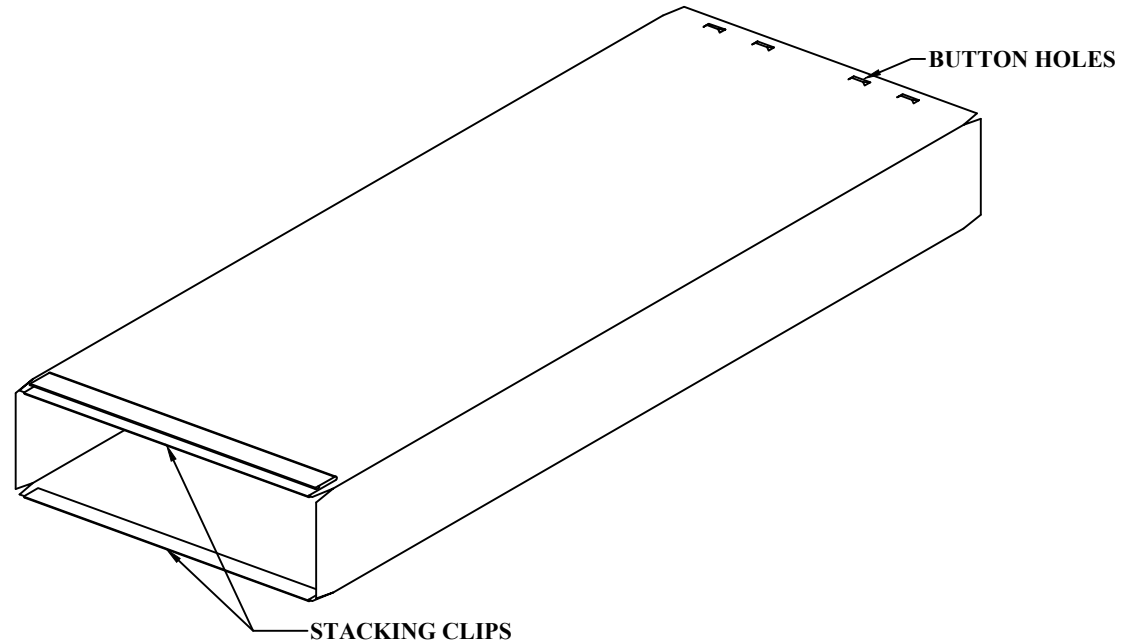
AVAILABLE IN 28 AND 26 GAUGE.

FEATURES

SHIPPED IN L-SECTIONS, READY FOR ASSEMBLY.

STANDARD PACKAGING: 5 JOINTS PER BUNDLE

BUTTON PUNCH SNAP-LOCK LONGITUDINAL
SEAM.



TRANSVERSE CONNECTIONS

MALE END: BUTTON HOLES
FEMALE END: STACKING CLIPS

SPECIAL NOTES