



6390 Philips Highway
Jacksonville, FL 32216
Phone (904) 737-7144

SPECIFICATION DATA SHEET

Date: 04/13/04 rev. Drawn by: M.D.C.

MODEL No. 1575-G

INSULATED REGISTER BOX
with THERMA SEAL GASKET

DIMENSIONAL DATA

4-1/2" HIGH FRAMED BOX
3" LONG COLLAR WITH CONVEX BEAD
OUTER BOX DIMENSION IS 3" GREATER THAN
REGISTER DIMENSION.

FABRICATION DATA

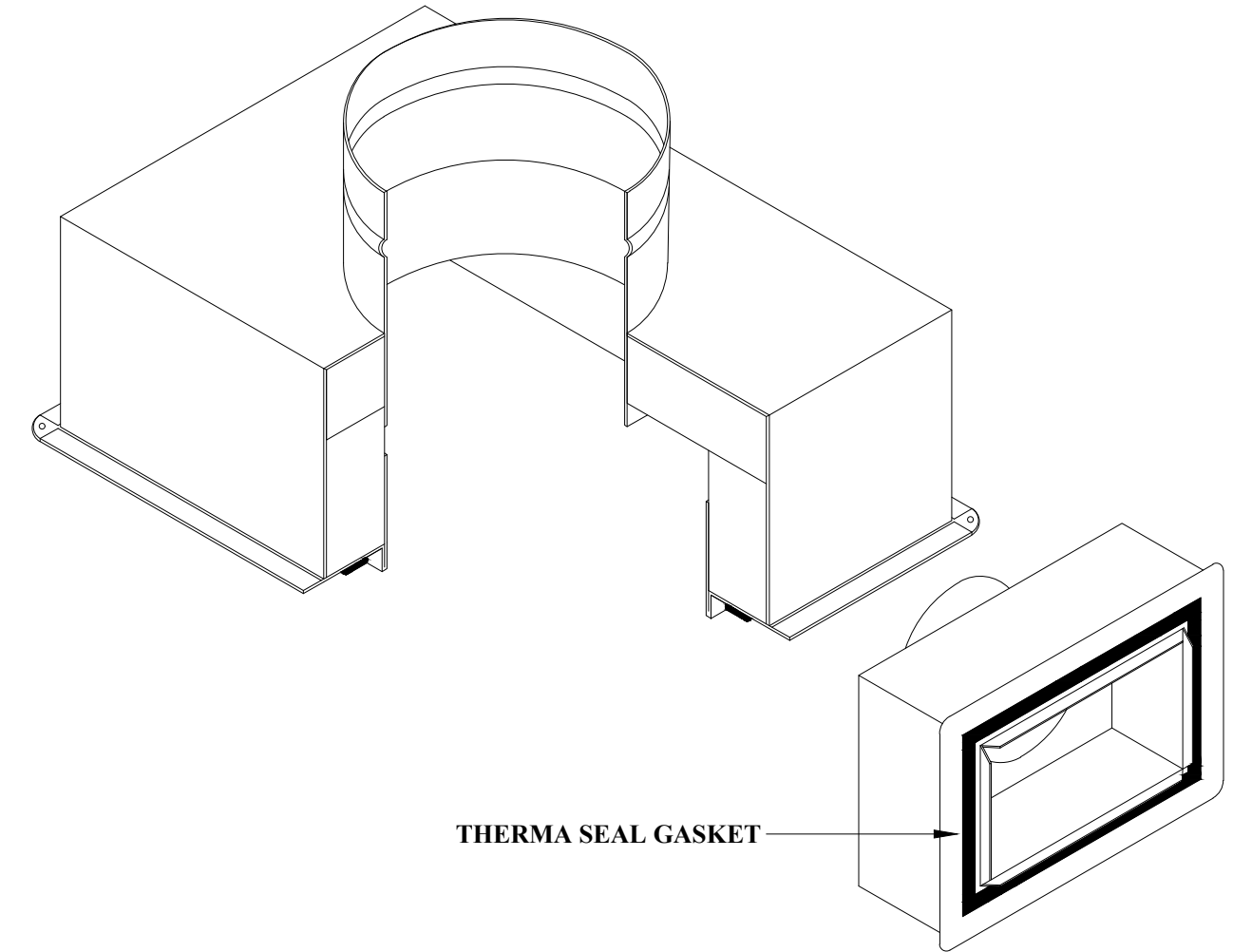
FABRICATED FROM 30 GAUGE GALVANIZED
STEEL.
INTERNALLY INSULATED WITH R-6 INSULATION.

FEATURES

NO FIBER GLASS EXPOSED TO AIR STREAM.
SOLID CORNERS WITH HANGER HOLES.
1/2" DRYWALL FLANGE.
5 HOLE CLUSTER FOR REGISTER ATTACHMENT.
GASKET AROUND REGISTER OPENING SEALS
BOX WHERE IT PENETRATES BUILDING
ENVELOPE.

OPTIONS

No. 1580-G INSULATED REGISTER BOX, R-6
INTERNAL INSULATION, BLACK INTERIOR.



SPECIAL NOTES

GASKET TESTED TO ASTM E-84-91. FLAME SPREAD LESS THAN 25, SMOKE DENSITY LESS THAN 50.
INTERNAL INSULATION USED MEETS THE REQUIREMENTS OF ASTM C 1338 (FORMERLY ASTM C 665)
STANDARD TEST FOR FUNGI RESISTANCE.