



6390 Philips Highway  
Jacksonville, FL 32216  
Phone (904) 737-7144

## SPECIFICATION DATA SHEET

# MODEL No. 1243-FL

### INSULATED FLOOR BOOT

Date: 03/08/05

Drawn by: DON. JR.

#### DIMENSIONAL DATA

OUTER BOX DIMENSION IS 2" GREATER THAN REGISTER DIMENSION.

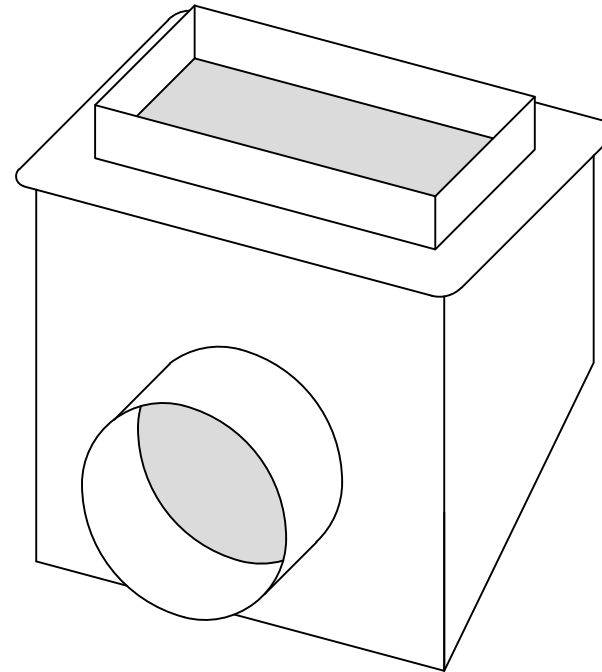
#### FABRICATION DATA

MATERIAL:  
30 GAUGE GALVANIZED STEEL SHEET PER  
ASTM A653 CS TYPE B.

INTERNALLY INSULATED WITH R-6.0 INSULATION.

#### FEATURES

1" FLANGE UP FOR FLOOR THICKNESS.  
BLACK INTERIOR.  
SOLID CORNERS.



#### OPTIONS

#### SPECIAL NOTES

INTERNAL INSULATION USED MEETS THE REQUIREMENTS OF ASTM C 1338 (FORMERLY ASTM C 665) STANDARD TEST METHOD FOR FUNGI RESISTANCE.