



6390 Philips Highway  
Jacksonville, FL 32216  
Phone (904) 737-7144

## SPECIFICATION DATA SHEET

## MODEL No. 121

ADJUSTABLE 45 DEGREE ANGLE

Date: 07/11/22 rev.

Drawn by: J.E.P.

### DIMENSIONAL DATA

SIZES AVAILABLE: 4" THROUGH 24" DIAMETER

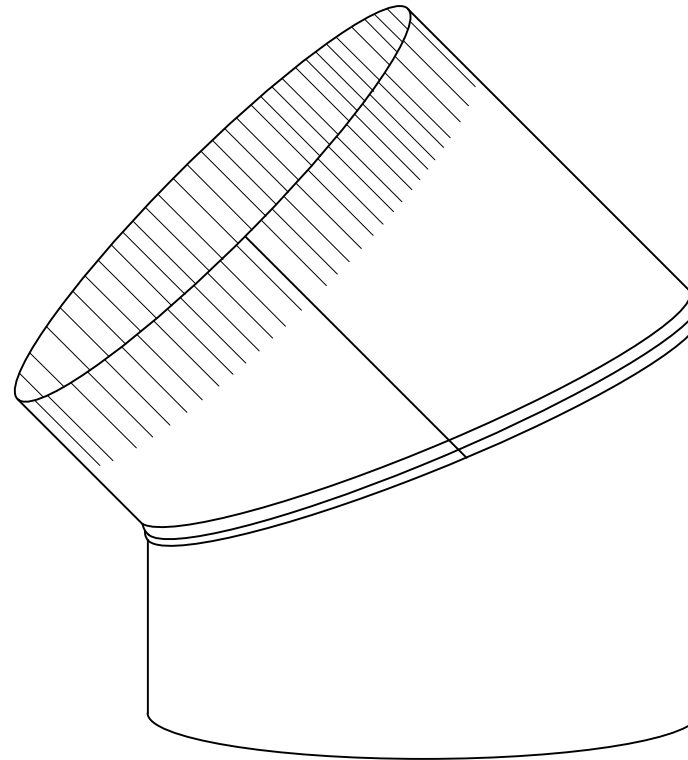
### FABRICATION DATA

MATERIAL: GALVANIZED STEEL SHEET

DIAMETER	GAUGES AVAILABLE
4"	30, 28, 26
5" - 9"	30, 28, 26, 24
10"	30, 28, 26, 24, 22
12" - 14"	28, 26, 24, 22
16" - 20"	26, 24, 22
22" - 24"	24, 22

### FEATURES

TRANSVERSE CONNECTIONS:  
CRIMPED MALE CONNECTION  
STRAIGHT FEMALE CONNECTION



### OPTIONS

ALUMINUM AND STAINLESS STEEL ANGLES  
ARE AVAILABLE IN VARIOUS GAUGES AND  
DIAMETERS.

### SPECIAL NOTES

UP TO 10" POSITIVE STATIC PRESSURE PER SMACNA THIRD EDITION 2005:  
04" - 14" 28 GA  
16" - 18" 26 GA  
20" - 24" 24 GA