



6390 Philips Highway
 Jacksonville, FL 32216
 Phone (904) 737-7144

SPECIFICATION DATA SHEET

MODEL No. 317-DSO

**TAKE OFF COLLAR FOR ROUND PIPE
 WITH PEEL OFF GASKET, MANUAL VOLUME DAMPER,
 DAMPER HANDLE STANDOFF AND SCOOP**

Date: 10/23/09

Drawn by: M.D.C.

DIMENSIONAL DATA

DIAMETER	TO FIT PIPE SIZE
4"	8"
5"	8"
6"	10", 12", 14"
7"	10", 12", 14"
8"	10", 12"
9"	12", 14", 16"
10"	12", 14", 16"
12"	14", 16", 18"
14"	16", 18", 20"
16"	18", 20"

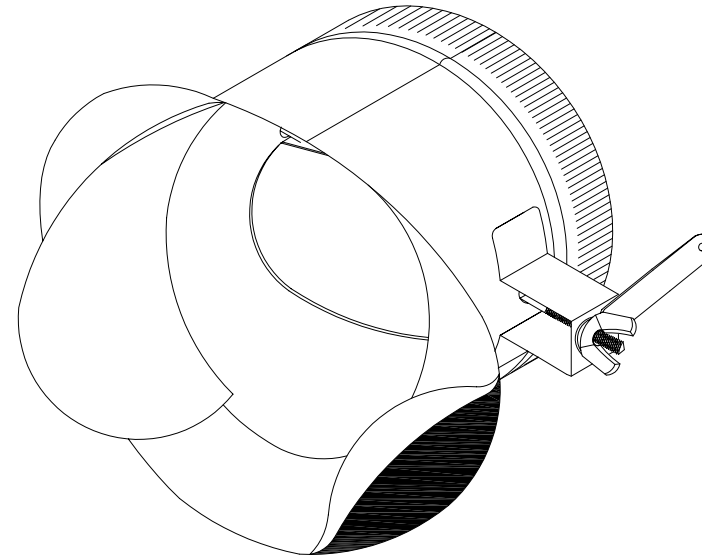
FABRICATION DATA

MATERIAL:
 HOT DIPPED GALVANIZED STEEL SHEET
 PER ASTM-A653 CS TYPE B.

GAUGES:
 4" THROUGH 9" = 30 GAUGE
 10" THROUGH 16" = 28 GAUGE

FEATURES

1 1/2" WIDE CONTOURED FLANGE WITH GASKET
 DESIGNED TO MOUNT ON ROUND PIPE.
 CRIMPED MALE CONNECTION FOR BRANCH DUCT.
 GASKET HAS PEEL-OFF PAPER.
 SCOOP PENETRATES INTO TRUNK DUCT AIR
 STREAM.
 MANUAL VOLUME DAMPER INSTALLED.
 2" DAMPER HANDLE STANDOFF.



OPTIONS

No. 311: TAKE OFF FOR PIPE WITH GASKET
 No. 313: TAKEOFF FOR PIPE WITH GASKET AND
 SCOOP.
 No. 317: TAKEOFF FOR PIPE WITH GASKET, SCOOP
 AND MANUAL VOLUME DAMPER.

SPECIAL NOTES

RECOMMENDED INSTALLATION: DAMPER AXIS PARALLEL TO AIR FLOW.
 SIZES 4" THROUGH 10" HAVE DAMPER WITH 1/4" REGULATOR.
 SIZES 12" THROUGH 16" HAVE REINFORCED DAMPER AXIS WITH 1/4" REGULATOR, END BEARING
 WITH WASHER AND WING NUT.