



6390 Philips Highway
Jacksonville, FL 32216
Phone (904) 737-7144

SPECIFICATION DATA SHEET

MODEL No. 314-DSO

TAKE OFF COLLAR FOR ROUND PIPE WITH
THERMA SEAL GASKET FLANGE, MANUAL VOLUME
DAMPER AND DAMPER HANDLE STANDOFF

Date: 10/23/09

Drawn by: M.D.C.

DIMENSIONAL DATA

DIAMETER	TO FIT PIPE SIZE
4"	8"
5"	8"
6"	10", 12", 14"
7"	10", 12", 14"
8"	10", 12"
9"	12", 14", 16"
10"	12", 14", 16"
12"	14", 16", 18"
14"	16", 18", 20"
16"	18", 20"

FABRICATION DATA

MATERIAL:
HOT DIPPED GALVANIZED STEEL SHEET
PER ASTM-A653 CS TYPE B.

GAUGES:
4" THROUGH 9" = 30 GAUGE
10" THROUGH 16" = 28 GAUGE

FEATURES

CONTOURED FLANGE WITH THERMA
SEAL GASKET DESIGNED TO MOUNT
TO ROUND PIPE.

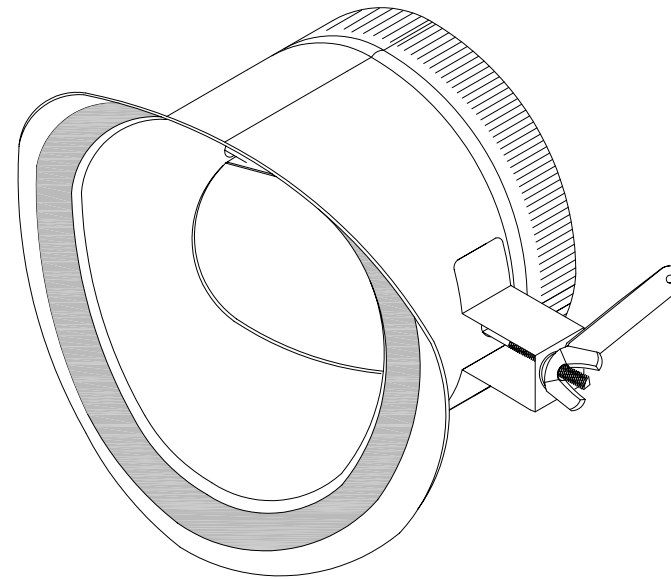
CRIMPED MALE CONNECTION FOR BRANCH DUCT.

MANUAL VOLUME DAMPER INSTALLED.

SIZES 4" THROUGH 10" HAVE DAMPER WITH 1/4"
REGULATOR.

SIZES 12" THROUGH 16" HAVE REINFORCED
DAMPER AXIS WITH 1/4" REGULATOR, END
BEARING WITH WASHER AND WING NUT.

2" DAMPER HANDLE STANDOFF.



SPECIAL NOTES

RECOMMENDED INSTALLATION: DAMPER AXIS PARALLEL TO AIR FLOW.

THERMA SEAL GASKET ATTACHED TO OUTBOARD FLANGE BEARS FIRE HAZARD CLASS 1, FLAME
SPREAD LESS THAN 25, SMOKE DENSITY LESS THAN 50.