



6390 Phillips Highway  
 Jacksonville, FL 32216  
 Phone (904) 737-7144

**SPECIFICATION DATA SHEET**

**MODEL No. 305**

TAKEOFF from ROUND PIPE

Date: 11/14/02 rev. Drawn by: M.D.C.

**DIMENSIONAL DATA**

| DIAMETER | RECT. HOLE DIMENSION |
|----------|----------------------|
| 4"       | 4" x 6"              |
| 5"       | 6" x 8"              |
| 6"       | 6" x 10"             |
| 7"       | 6" x 11"             |
| 8"       | 6" x 12"             |
| 9"       | 6" x 14"             |
| 10"      | 7" x 14"             |
| 12"      | 9" x 16-1/2"         |
| 14"      | 9" x 18"             |

**FABRICATION DATA**

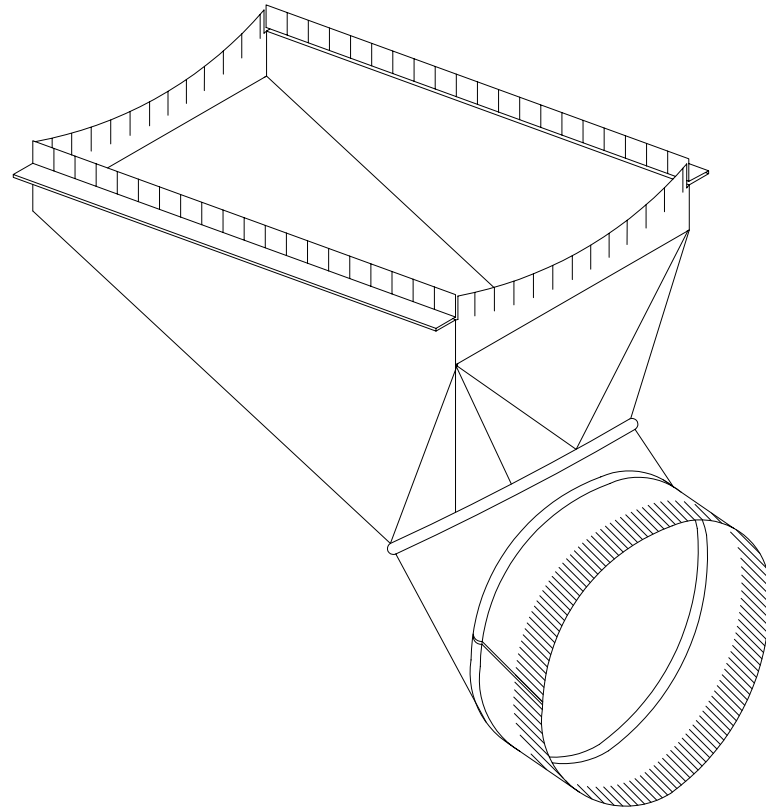
MATERIAL:  
 HOT DIPPED GALVANIZED STEEL SHEET OF  
 LOCK FORMING QUALITY PER ASTM-653 CS  
 TYPE B.

4" THROUGH 9" = 30 GAUGE  
 10" THROUGH 12" = 28 GAUGE  
 14" = 26 GAUGE

**FEATURES**

RECTANGULAR END FLANGED WITH STRAIGHT  
 TABS CONTOURED TO FIT RADIUS OF ROUND  
 TRUNK PIPE.

ROUND END HAS 45 DEGREE ADJUSTABLE  
 ANGLE CRIMPED FOR BRANCH PIPE.



**OPTIONS**

**SPECIAL NOTES**