



6390 Phillips Highway
Jacksonville, FL 32216
Phone (904) 737-7144

SPECIFICATION DATA SHEET

MODEL No. 276

Date: 7/05/02 rev.

Drawn by: DON.J.R.

IN-LINE WYE

DIMENSIONAL DATA

SIZES:

4" x 3" - 3"	12" x 10" - 10"	24" x 18" - 18"
6" x 4" - 4"	14" x 12" - 12"	24" x 20" - 20"
7" x 5" - 5"	16" x 14" - 14"	
8" x 6" - 6"	18" x 14" - 14"	
9" x 7" - 7"	20" x 16" - 16"	
10" x 8" - 8"	22" x 18" - 18"	

FABRICATION DATA

FABRICATED FROM HOT DIPPED GALVANIZED STEEL SHEET OF LOCK FORMING QUALITY PER ASTM-A653 CS TYPE B.

GAUGES:

- 4" THROUGH 8" = 30 GA.
- 9" THROUGH 14" = 28 GA.
- 16" THROUGH 22" = 26 GA.
- 24" AND LARGER = 24 GA.

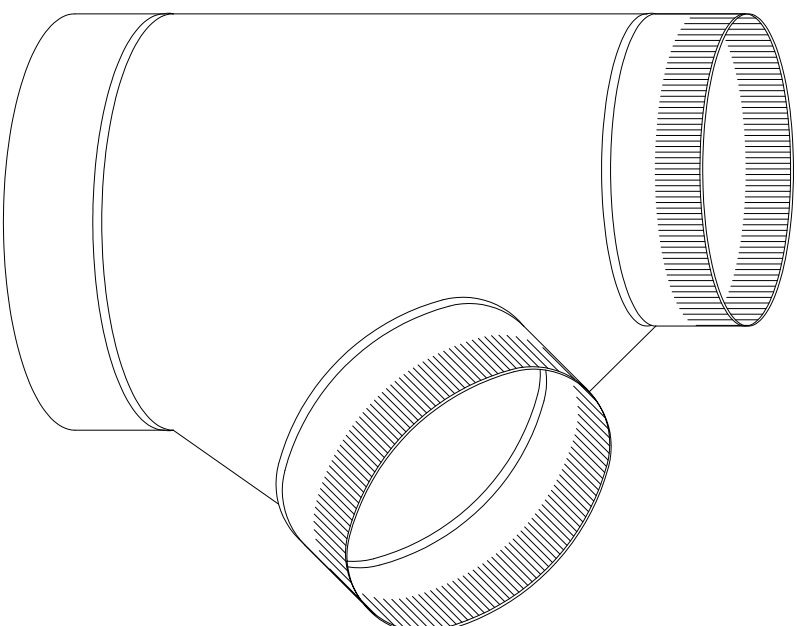
FEATURES

TRANSVERSE CONNECTIONS:
STRAIGHT FEMALE CONNECTION ON LARGE END
CRIMPED MALE CONNECTION ON BOTH SMALL ENDS.

OPTIONS

ALUMINUM AND STAINLESS STEEL WYES ARE AVAILABLE IN LIMITED GAUGES AND DIAMETERS.

OTHER NON-LISTED SIZES UP TO 30" ARE AVAILABLE UPON REQUEST.



SPECIAL NOTES