



6390 Phillips Highway
Jacksonville, FL 32216
Phone (904) 737-7144

SPECIFICATION DATA SHEET

MODEL No. 242

FRAMED BOOT

Date: 12/23/02 rev.

Drawn by: M.D.C.

DIMENSIONAL DATA

STANDARD SIZES AVAILABLE:

8" x 4" - 4", 5"	12" x 8" - 7", 8"
8" x 6" - 5", 6", 7"	12" x 10" - 8", 9", 10"
8" x 8" - 6", 7", 8"	12" x 12" - 8", 9", 10"
10" x 4" - 5", 6", 7"	14" x 4" - 6", 7", 8"
10" x 6" - 5", 6", 7"	14" x 6" - 6", 7", 8"
10" x 8" - 7", 8"	14" x 8" - 8", 9"
10" x 10" - 7", 8"	14" x 10" - 8", 9"
12" x 4" - 5", 6", 7"	14" x 12" - 10", 12"
12" x 6" - 6", 7", 8"	14" x 14" - 10", 12"

FABRICATION DATA

MATERIAL:

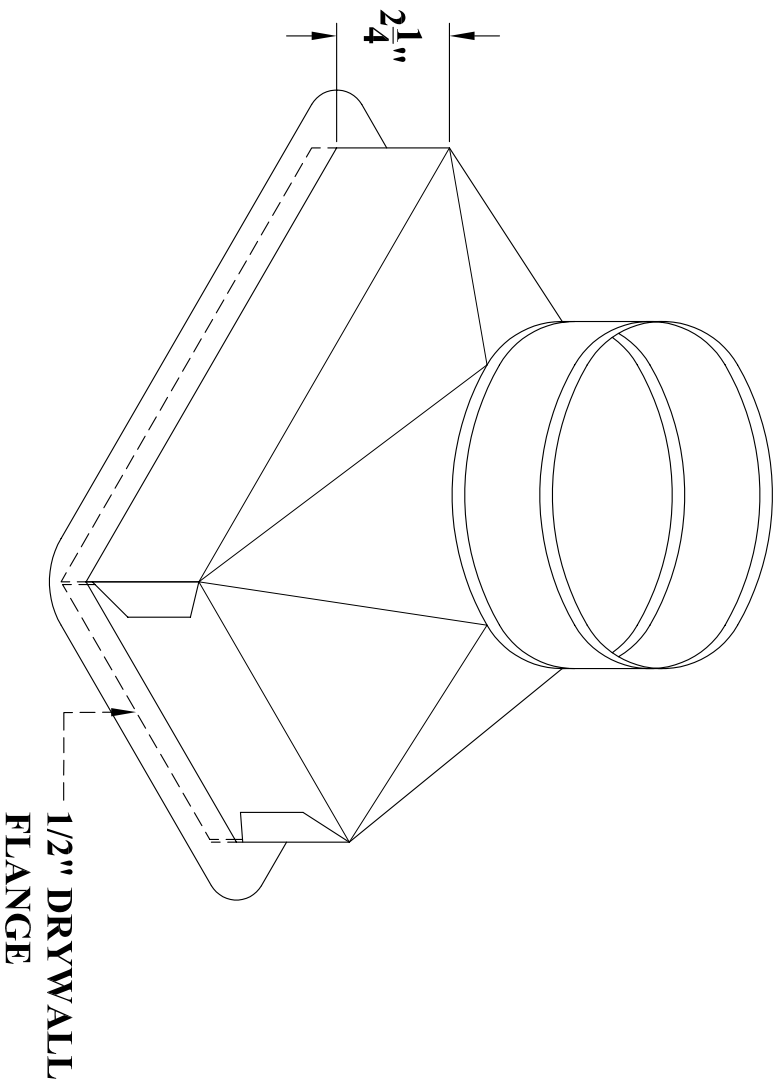
30 GAUGE GALVANIZED STEEL SHEET PER
ASTM A653 CS TYPE B.

FEATURES

2-3/4" STRAIGHT AWAY ON RECTANGULAR END.
ROUND COLLAR HAS HEMMED EDGE.

OPTIONS

OTHER SIZES AND GAUGES AVAILABLE.



SPECIAL NOTES