



6390 Phillips Highway  
Jacksonville, FL 32216  
Phone (904) 737-7144

## SPECIFICATION DATA SHEET

# MODEL No. 1575

### INSULATED REGISTER BOX

Date: 02/07/02 rev. Drawn by: M.D.C.

#### DIMENSIONAL DATA

4-1/2" HIGH FRAMED BOX

3" LONG COLLAR WITH CONVEX BEAD

OUTER BOX DIMENSION IS 3" GREATER THAN REGISTER DIMENSION.

#### FABRICATION DATA

FABRICATED FROM 30 GAUGE GALVANIZED STEEL.

INTERNALLY INSULATED WITH R-6 INSULATION.

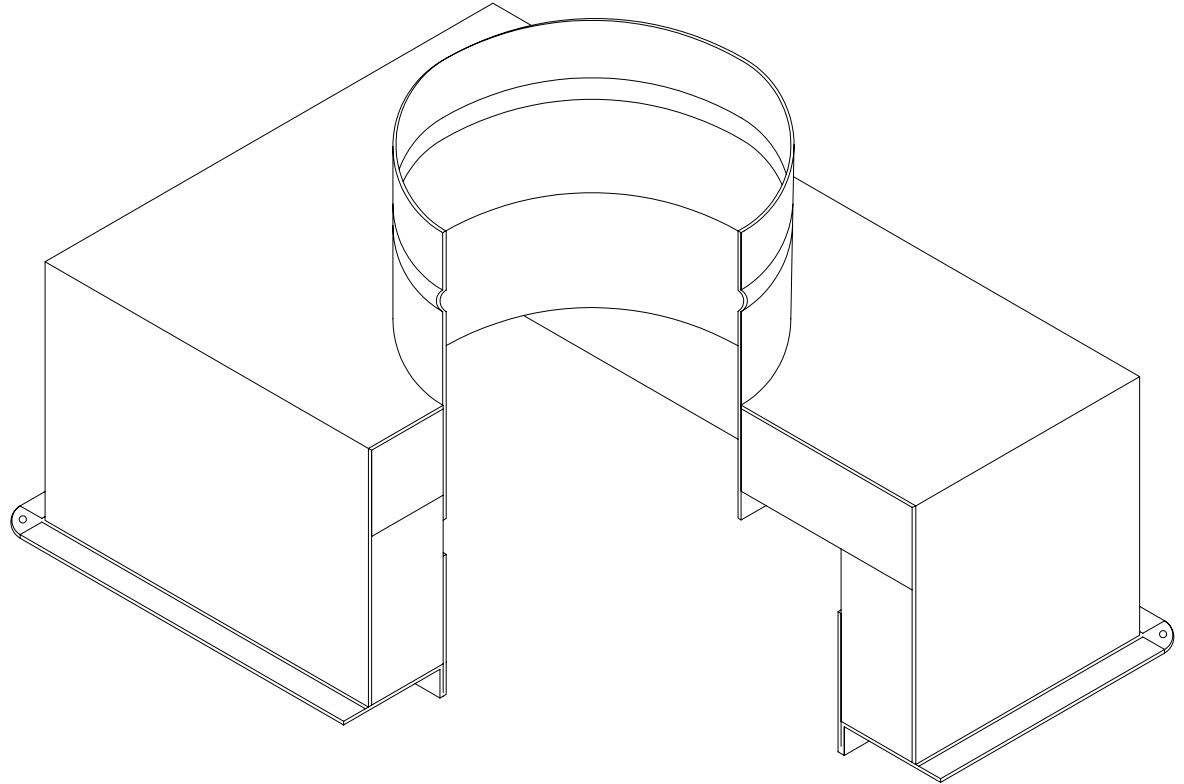
#### FEATURES

NO FIBER GLASS EXPOSED TO AIR STREAM.

SOLID CORNERS WITH HANGER HOLES.

1/2" DRYWALL FLANGE.

5 HOLE CLUSTER FOR REGISTER ATTACHMENT.



#### OPTIONS

No. 1580 INSULATED REGISTER BOX, R-6  
INTERNAL INSULATION, BLACK INTERIOR.

#### SPECIAL NOTES