



6390 Philips Highway  
Jacksonville, FL 32216  
Phone (904) 737-7144

## SPECIFICATION DATA SHEET

# MODEL No. 1292

### DUCT BOARD BOX, R-4.2

Date: 11/01/10 rev.

Drawn by: M.D.C.

#### DIMENSIONAL DATA

11" HIGH OUTER FRAMED BOX

OUTER BOX DIMENSION IS 2" GREATER THAN REGISTER DIMENSION.

#### FABRICATION DATA

OUTER FRAME FABRICATED FROM 30 GAUGE GALVANIZED STEEL.

DUCT BOARD TOP AND SIDES.

#### FEATURES

R-4.2 INSULATION.

SOLID CORNERS WITH HANGER HOLES.

1/2" DRYWALL FLANGE.

HOLE CLUSTER FOR REGISTER ATTACHMENT.

DUCT BOARD TOP AND SIDES ALLOW FOR VARIOUS COLLAR INLET SIZES.

BLACK INTERIOR.

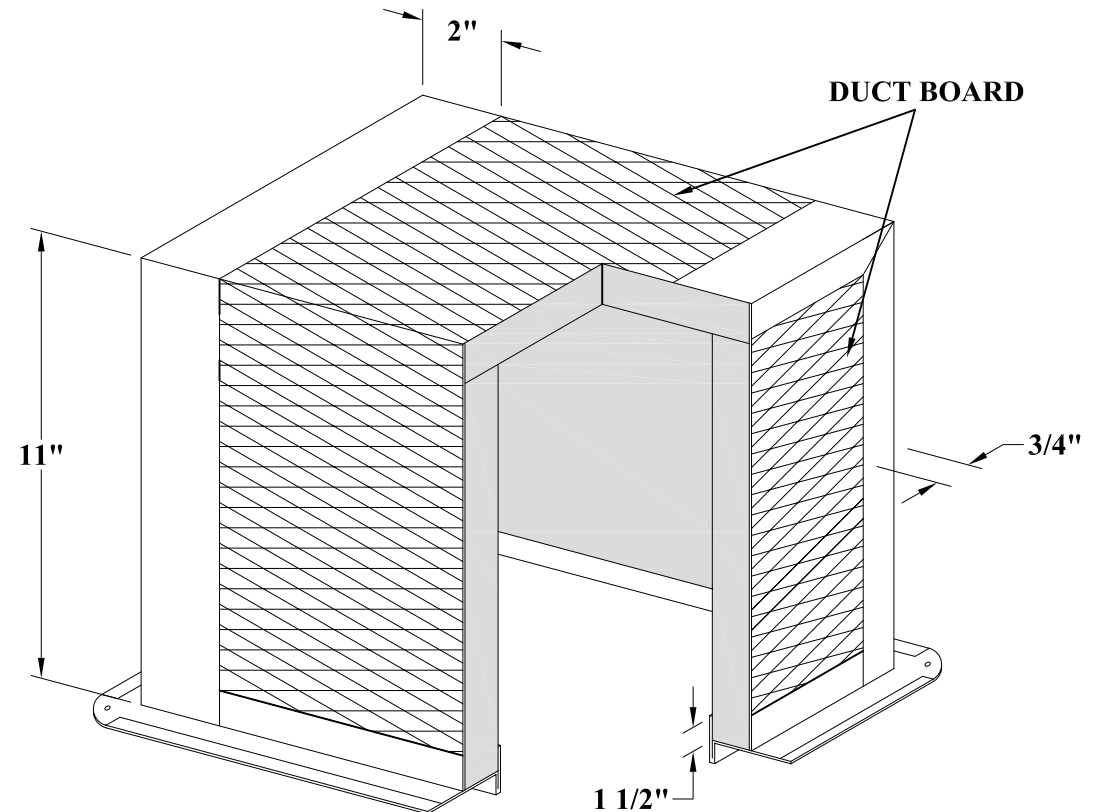
#### OPTIONS

No. 1292-FL DUCT BOARD BOX, R-6.0 INSULATION, BLACK INTERIOR.

#### SPECIAL NOTES

THE 2" FRAME WIDTH IS LOCATED ON THE LONGER SIDE OF THE RECTANGULAR BOX.

INTERNAL INSULATION USED MEETS THE REQUIREMENTS OF ASTM C 1338 (FORMERLY ASTM C 665) STANDARD TEST METHOD FOR FUNGI RESISTANCE.



n.t.s.